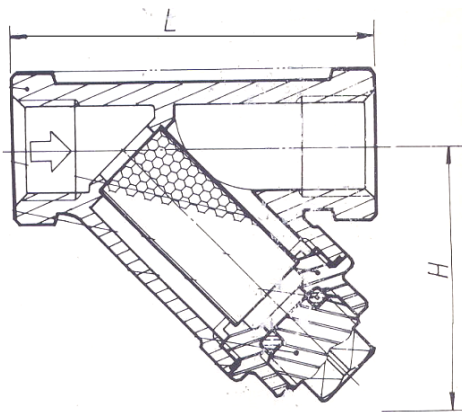
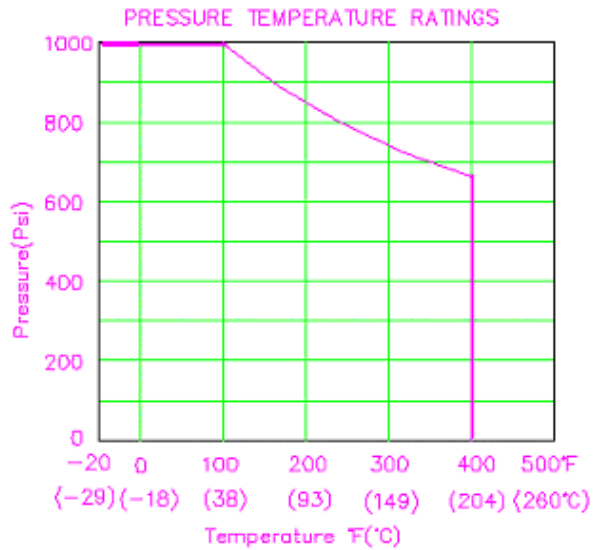
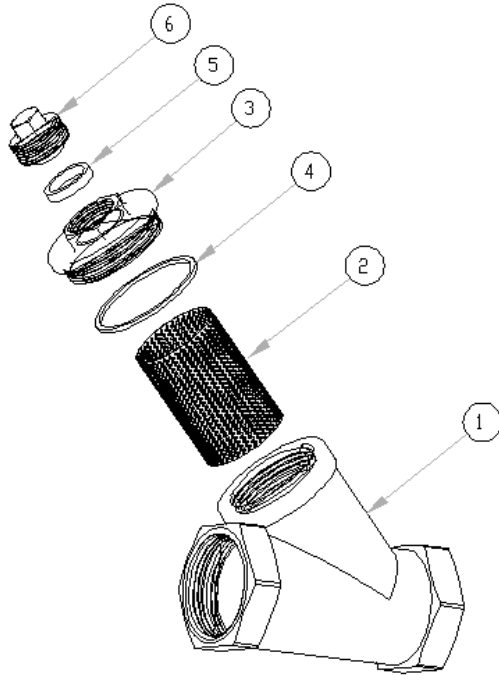


Model No.: YS600 Y-Strainer Valve

Sizes range:	1/4"~ 2" (DN 8 ~ DN 50)
Working pressure:	600PSI
Temperature rating:	- 20°F ~ 400°F (- 29°C ~ 200°C)
Body material:	CF8M(1.4408), CF8(1.4308)
End connection:	Threaded
Seat material:	PTFE



MATERIAL LIST

NO	PART NAME	Q'ty	SPECIFICATION
1	Body	1	304, 316, CF8M
2	Screen	1	304, 316
3	Cap	1	304, 316, CF8M
4	Gasket	1	Teflon
5	Packing	1	Teflon
6	Plug	1	304, 316, CF8M

DIMENSIONS(mm)

SIZE	1/4	3/8	1/2	3/4	1	1 1/4	1 1/2	2	2 1/2	3
L	57.0	61.0	70.0	86	100.0	111.0	138.0	170.0	195.0	
H	32.0	37.0	41.0	47.0	54.0	62.0	76.0	110.0	130.0	
D	10.0	15.0	20.0	25.0	32.0	38.0	51.0	65.0	80.0	
Weight/kgs	0.25	0.28	0.4	0.6	0.9	1.15	1.65	3.60	5.00	