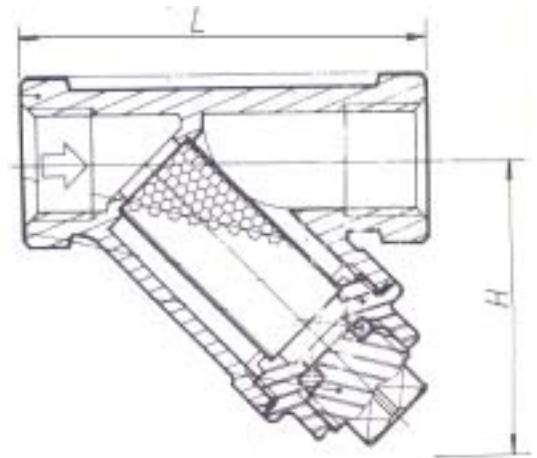
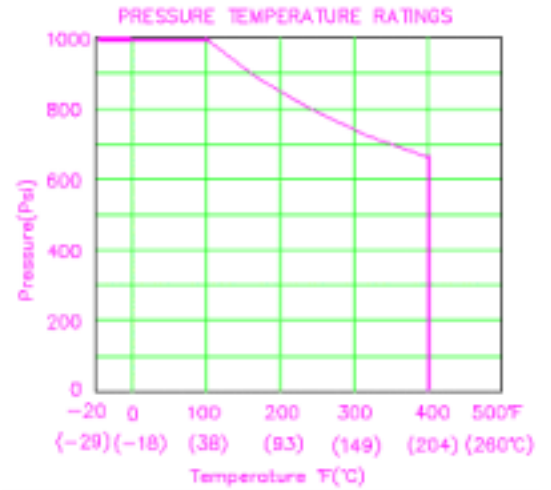
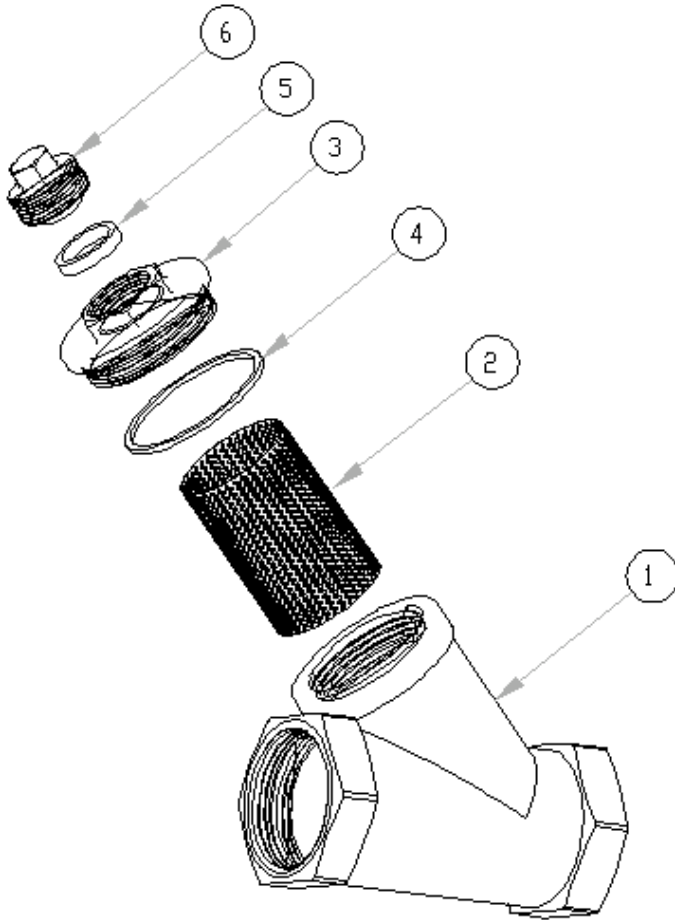


- Size Range: 1/4 ~ 2 inches (DN8 ~ DN50).
- Pressure Rating: ANSI Class 600.
- Temperature range: -20F ~ 400F (-29C ~ 200C).
- Body Material: CF8M (1.4408), CF8 (1.4308).
- End types: Threaded.
- Seat Materials: PTFE Gasket.



Y-Strainer Valve



Valve Size	1/4	3/8	1/2	3/4	1	1 1/4	1 1/2	2	2 1/2	3
L m/m	57.0	61.0	70.0	86	100.0	111.0	138.0	170.0	195.0	
H m/m	32.0	37.0	41.0	47.0	54.0	62.0	76.0	110.0	130.0	
D m/m	10.0	15.0	20.0	25.0	32.0	38.0	51.0	65.0	80.0	
Weight/kgs	0.25	0.28	0.4	0.6	0.9	1.15	1.65	3.60	5.00	

NO	Part	Q'ty	Material	Note
1	Body	1	304, 316, CF8M	
2	Screen	1	304, 316	
3	Cap	1	304, 316, CF8M	
4	Gasket	1	Teflon	
5	Packing	1	Teflon	
6	Plug	1	304, 316, CF8M	