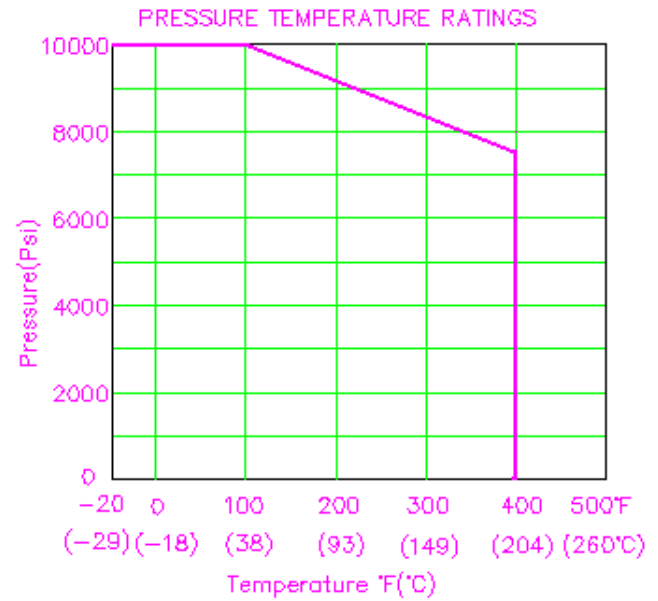
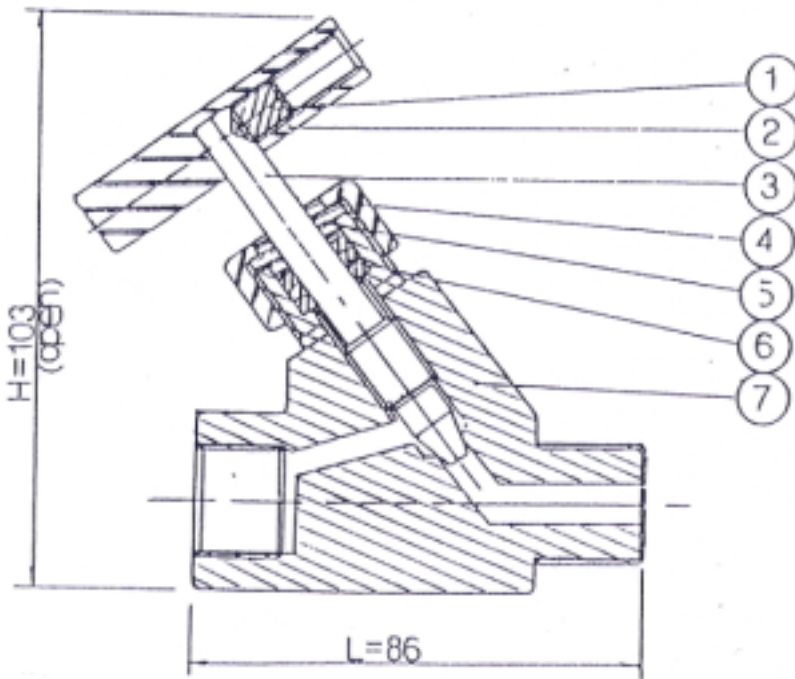


- Size Range: 1/2 inch.
- Pressure Rating: Working Pressure 10000psig.
- Temperature range: -20F ~ 400F (-29C ~ 200C).
- Body Material: ASTM A105 Forged steel body.
- End types: Threaded (male x female).
- Seat Materials: PTFE Packing.



Gauge Shutoff Needle Valves



DIMENSIONS

Valve Size	1/2
L m/m	86
H m/m	103
Weight (kg)	0.9

MATERIAL

NO	Part	Q'ty	Material
1	Set Screw	1	SS304
2	Handle	1	SS410
3	Stem	1	SS304
4	Gland Nut	1	SS304
5	Gland	1	SS304
6	Packing	1	TEFLON
7	Body	1	ASTM A-105