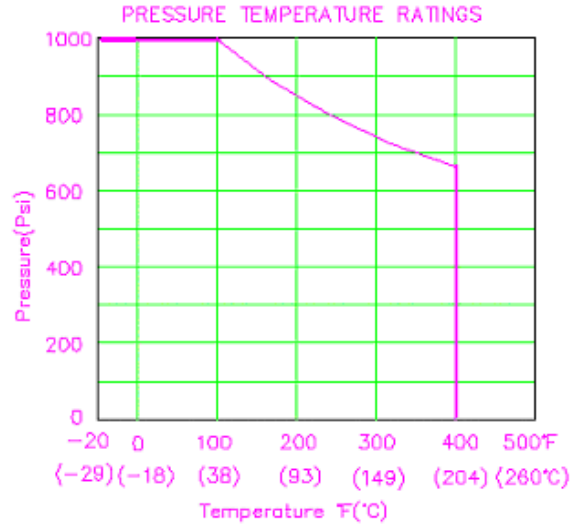
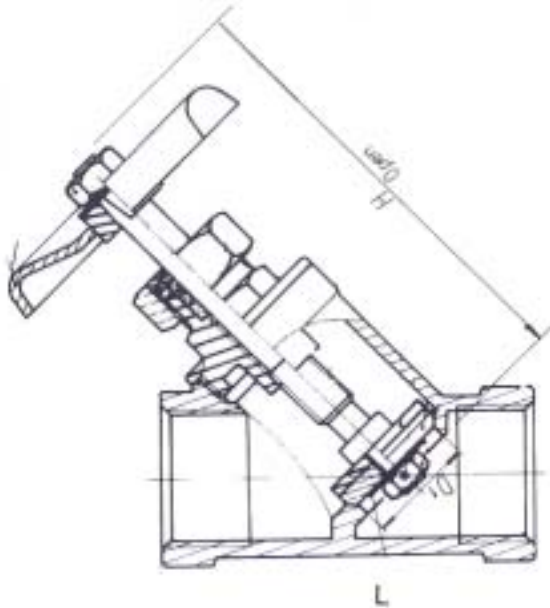


- Size Range: 1/4 ~ 2 inches (DN8 ~ DN50).
- Pressure Rating: ANSI Class 600.
- Temperature range: -20F ~ 400F (-29C ~ 200C).
- Body Material: CF8M (1.4408).
- End types: Threaded.
- Seat Materials: PTFE.



Y-Globe Valves



DIMENSIONS

Valve Size	1/4	3/8	1/2	3/4	1	1 1/4	1 1/2	2
L m/m	57.0	61.0	70.0	86.0	100.0	111.0	138.0	
H m/m	90.0	100.0	125.0	130.0	165.0	195.0	210.0	
D m/m	10.0	15.0	20.0	25.0	32.0	38.0	50.0	
Weight/kgs	0.3	0.4	0.5	0.7	0.9	1.35	1.65	

MATERIAL

NO	Part	Q'ty	Material
1	Body	1	304;316;CF8M
2	PIN	1	304; 316
3	Nut	1	304
4	DISC WASHET	1	304;316
5	DISC	1	TEFLON; VITON
6	THRUST WASHER	1	304;316
7	STEM	1	304;316
8	CAP	1	304;316;CF8M
9	GASKET	1	TEFLON
10	STEM PACKING	1SET	TEFLON
11	GLAND	1	304;316
12	CAP NUT	1	304;316;CF8M
13	WASHER	1	304;316
14	HANDLE NUT	1	304
15	HANDLE	1	DUCT IRON