

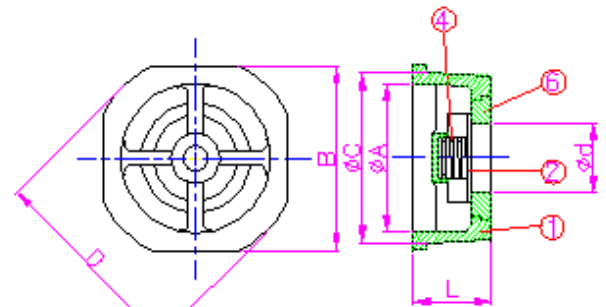
- Temperature range: -20 to 400
- INSTALLATION: DIN PN10-16-25, AISI150
- L: DIN 3202 K4
- Pressure rating: PN 40
- For safety reason, Suggest to liquid material installation only.



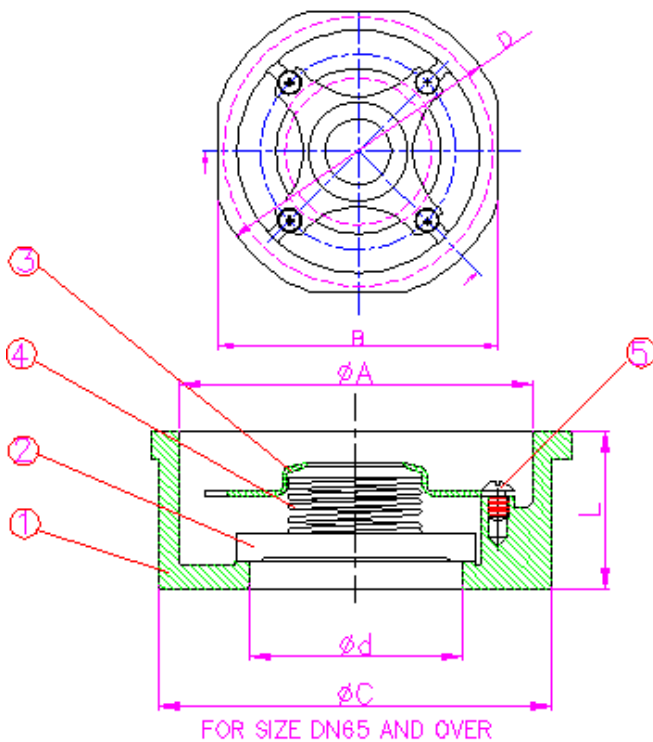
Wafer Check Valves

DN	inch	φd	φA	B	φC	D	L	W (kg)	CV FACTOR
15	1/2"	15	34	45	41	53	16	0.1	25
20	3/4"	20	37	55	46	63	19	0.16	50
25	1"	25	46	65	56	73	22	0.28	80
32	1-1/4"	32	63	79	74	84	28	0.52	150
40	1-1/2"	38	76	89	86	94	31.5	0.7	240
50	2"	50	83	99	96	107	40	1.1	360
65	2-1/2"	62	103	118	115	126	46	1.58	570
80	3"	76.5	117	134	131	144	50	1.76	880
100	4"	96	132	154	150	164	60	3.3	1600

UNIT: mm



FOR SIZE DN15~DN50



FOR SIZE DN65 AND OVER

MATERIAL LIST

NO	DESCRIPTION	MATERIAL
1	BODY	EN10213-4 1.4408
2	DISC	AISI 316
3	CAP	AISI 316
4	SPRING	AISI 316
5	SCREW	AISI 316
6	INSERT	AISI 316

- Temperature range: -20 to 400
- INSTALLATION: DIN PN10-16-25, AISI150
- L: DIN 3202 K4
- Pressure rating: PN25
- For safety reason, Suggest to liquid material installation only.



Wafer Check Valves

DN	inch	ϕd	ϕA	L	W (kg)	Cv FACTOR
125	5"	110	190	90	10	3150
150	6"	130	218	105	13	4600
200	8"	170	273	140	24	7700

UNIT: mm

MATERIAL LIST

NO	DESCRIPTION	MATERIAL
1	BODY	EN10213-4 1.4408
2	DISC	EN10213-4 1.4408
3	CAP	EN10213-4 1.4408
4	SPRING	AISI 316

