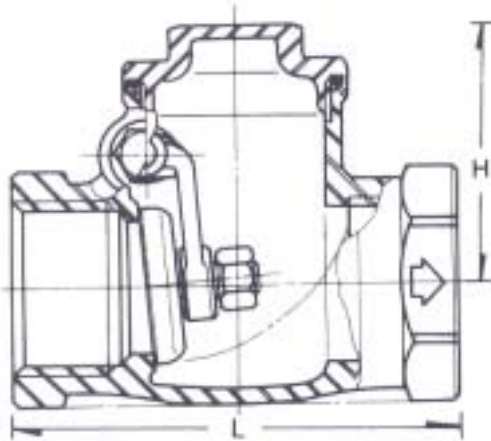
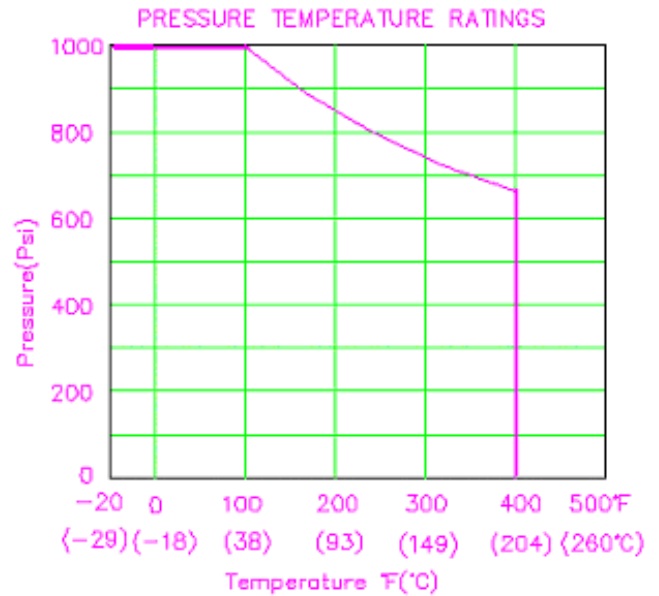
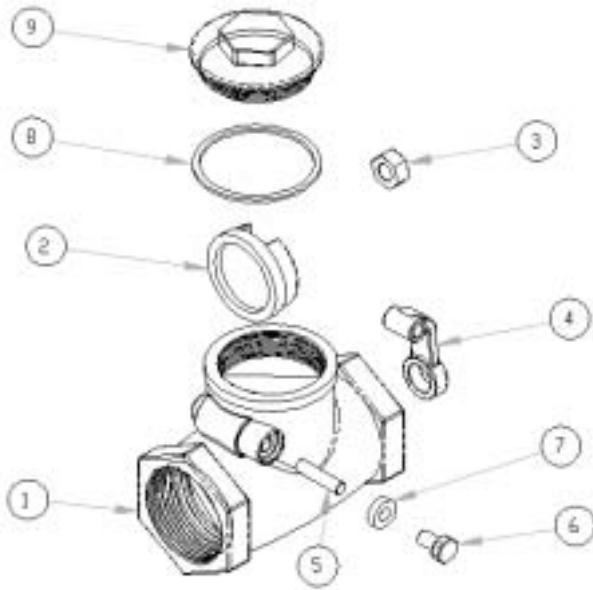


- Size Range: 1/2 ~ 3in (DN15 ~ DN80).
- Pressure Rating: ANSI Class 200
- Temperature range: -20F ~ 400F (-29C ~ 200C).
- Body Material: CF8M (1.4408).
- End types: Threaded.
- Seat Materials: PTFE Gasket packing.



Swing Check Valve



Valve Size	1/2	3/4	1	1 1/4	1 1/2	2	2 1/2	3
L m/m	60.0	78.0	84.0	94.0	104.0	122.0	153.0	175.0
H m/m	41.5	46.0	49.0	53.5	58.5	67.0	105.0	125.0
Weight/kgs	0.29	0.53	0.69	0.85	1.20	1.80	3.50	5.00

NO	Part	Q'ty	Material	Note
1	Body	1	304, 316, CF8M	
2	Disc	1	304, 316, CF8M	
3	Disc nut	1	304	
4	Connecting rod	1	304, 316, CF8M	
5	Pin	1	304, 316	
6	Bolt	1set	304	
7	Bolt Washer	1	Teflon	
8	Gasket	1	Teflon	
9	Cap	1	304, 316, CF8M	