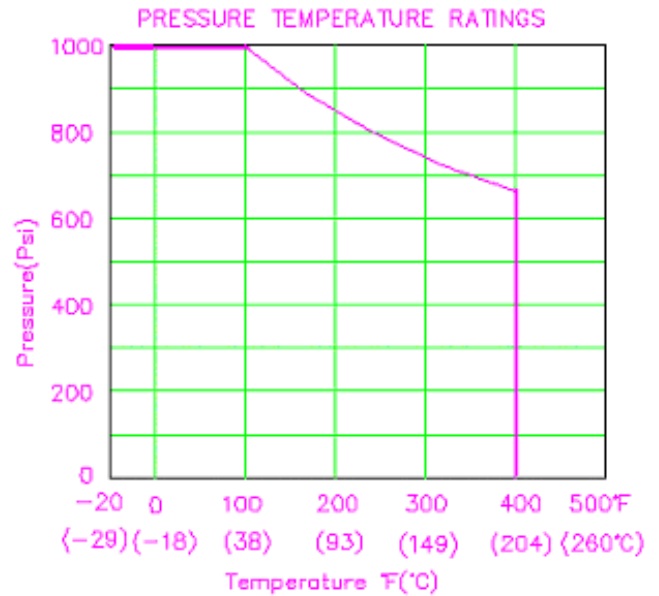
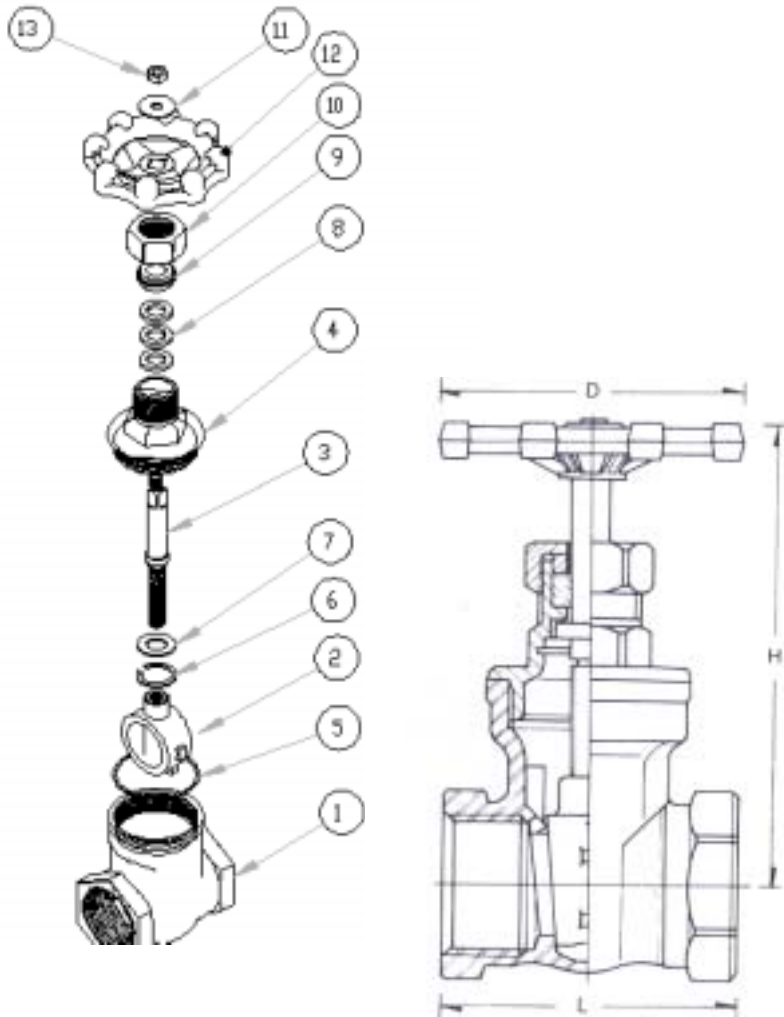


- Size Range: 1/2 ~ 3in (DN15 ~ DN80).
- Pressure Rating: ANSI Class 200.
- Temperature range: -20F ~ 400F (-29C ~ 200C).
- Body Material: CF8M (1.4408).
- End types: Threaded.
- Seat Materials: PTFE Stem packing.



Gate Valve



NO	Part	Q'ty	Material	Note
1	Body	1	316; CF8M	
2	Disc	1	316; CF8M	
3	Stem	1	316	
4	Cap	1	316; CF8M	
5	Gasket	1	Teflon	
6	Snap Ping	1	304	
7	Stem Packing	1	304	
8	Packing	1set	Teflon	
9	Gland Washer	1	304	
10	Cap Nut	1	304, 316, CF8M	
11	Spin Washer	1	304	
12	Handle	1	Duct Iron	
13	Nut	1	304	

Valve Size	1/2	3/4	1	1 1/4	1 1/2	2	2 1/2	3
L m/m	57.0	61.0	69.0	78.5	81.5	94.5	116.0	131.0
H m/m	100.0	100.0	123.0	135.0	150.0	170.0	260.0	295.0
D m/m	62.0	62.0	75.0	75.0	95.0	95.0	120.0	120.0
Weight/kgs	0.40	0.50	0.70	1.10	1.45	2.1	4.6	7.0