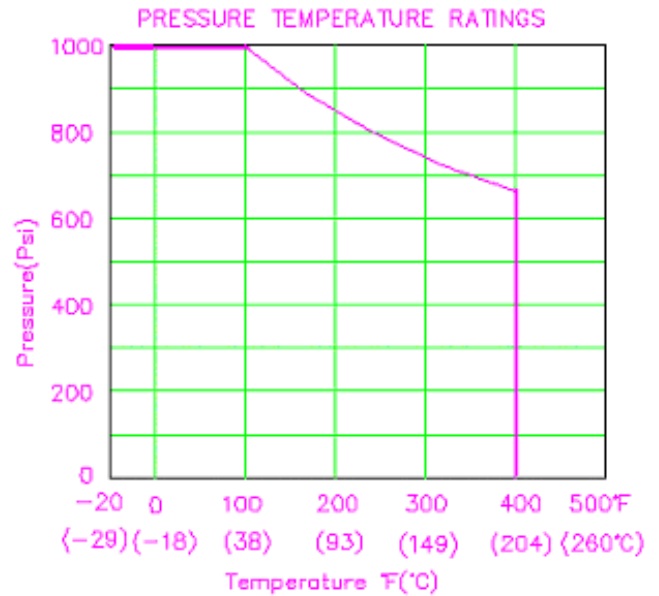
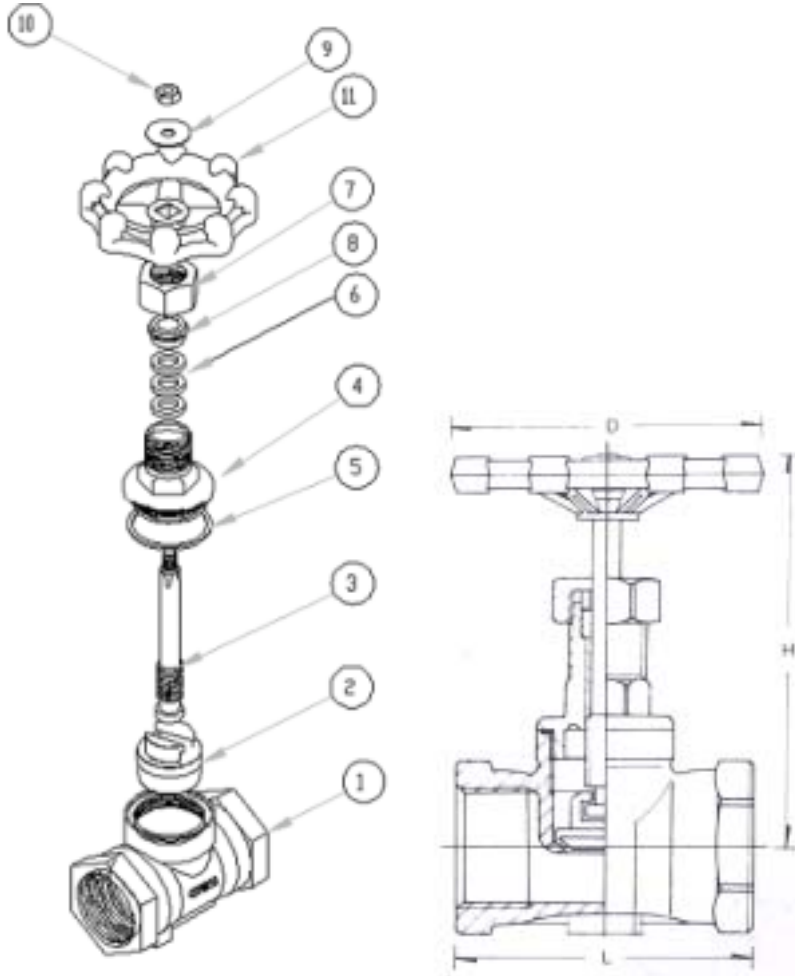


- Size Range: 1/2 ~ 2in (DN15 ~ DN50).
- Pressure Rating: ANSI Class 200.
- Temperature range: -20F ~ 400F (-29C ~ 200C).
- Body Material: CF8M (1.4408).
- End types: Threaded.
- Seat Materials: PTFE.



Globe Valve



NO	Part	Q'ty	Material	Note
1	Body	1	304, 316, CF8M	
2	Disc	1	304, 316, CF8M	
3	Stem	1	304, 316	
4	Cap	1	304, 316, CF8M	
5	Gasket	1	Teflon	
6	Packing	1set	Teflon	
7	Cap Nut	1	304, 316, CF8M	
8	Gland Washer	1	304	
9	Spin Washer	1	304	
10	Nut	1	304, 316, CF8M	
11	Handle	1	Duct iron	

Valve Size	3/8	1/2	3/4	1	1 1/4	1 1/2	2
L m/m	63.0	70.0	77.0	87.0	100.0	110.0	
H m/m	106.0	106.0	116.0	122.0	144.0	145.0	
D m/m	62.0	62.0	75.0	75.0	95.0	95.0	
Weight/kgs	0.40	0.50	0.70	0.90	1.35	1.65	