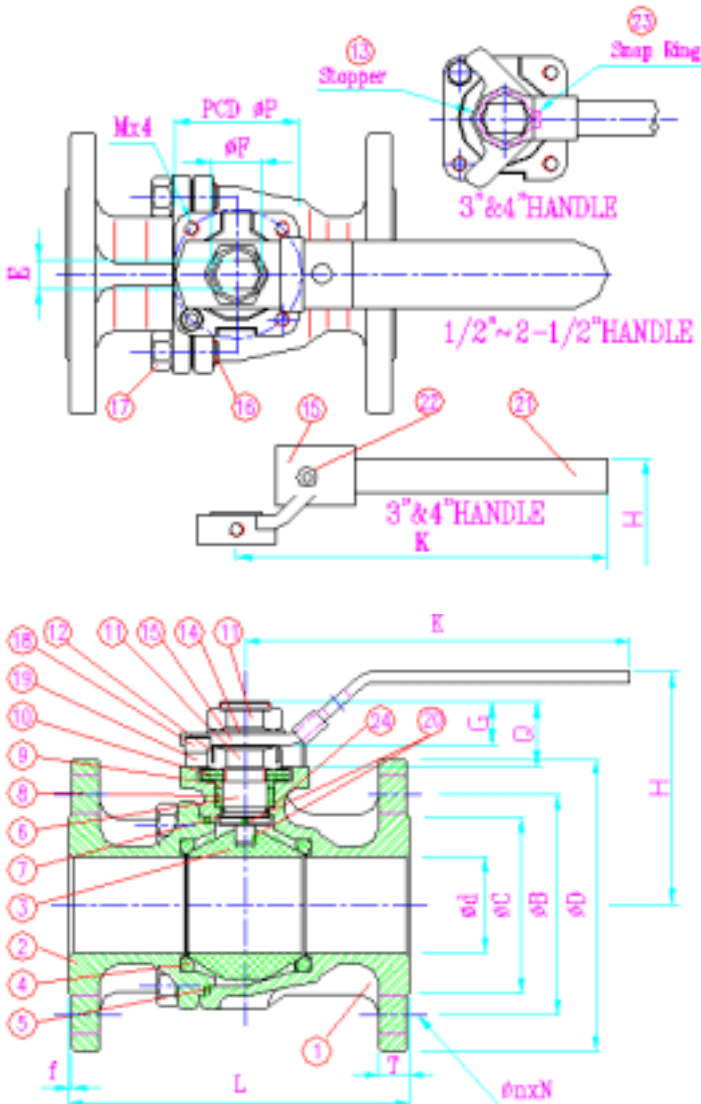


- Two-piece design facilitates inspection and repair.
- Blow-out-proof stem.
- Anti-Static design is standard.
- Temperature range: -20 to 400
- Face to face: DIN3202 F1/F4.
- Flange dimensions: DIN 2633.
- Pressure rating: 1/2" ~2" PN40 ; 1 1/2" ~4" PN16.
- With ISO5211 Mounting Pad.



Two Piece Flange Ball Valves

DN	SIZE	φ d	φ B	φ C	φ D	E	φ F	G	H	K	L		T	f	φ n	N	M	φ P	Q
											F1	F4							
15	1/2	15	65	45	95	8	12	12.5	72	145	130	115	16	2	14	4	M5	42	18
20	3/4	20	75	58	105	8	12	12.5	74	145	150	120	18	2	14	4	M5	42	18
25	1	25	85	68	115	8.7	14	13.5	81	178	160	125	18	2	14	4	M6	50	22.5
32	1 1/4	32	100	78	140	8.7	14	13.5	87	178	180	130	18	2	18	4	M6	50	22.5
40	1 1/2	38	110	88	150	15	22	23.5	126	255	200	140	18	3	18	4	M8	70	36
50	2	50	125	102	165	15	22	22	136	255	230	150	20	3	18	4	M8	70	38
65	2 1/2	65	145	122	185	15	22	26	155	255	290	170	18	3	18	4	M8	70	40.5
80	3	80	160	138	200	17	25.8	26	167	350	310	180	20	3	18	8	M10	102	42
100	4	100	180	158	220	17	25.8	26	179	400	350	190	20	3	18	8	M10	102	42



NO	PART NAME	MATERIAL
1	BODY	EN10213-4, 1.4408
2	CAP	EN10213-4, 1.4408
3	BALL	ASTM A351 GR. CF8M
4	SEAT	RPTFE
5	GASKET	PTFE
6	STEM	SS316
7	THRUST WASHER	POLYFILL TEFLON
8	PACKING	PTFE
9	RING	SS304
10	BEVEL WASHER	SS301
11	HEX. NUT	SS304
12	LOCK	SS304
13	STOPPER	SS304
14	HANDLE WASHER	SS304
15	HANDLE	SS304
16	BOLT	SS304
17	HEX. NUT	SS304
18	BOLT	SS304
19	WASHER	SS304
20	STATIC DEVICE	SS304
21	HANDLE PIPE	SS304
22	BOLT	SS304
23	SNAP RING	SS304
24	O-RING	VITON

- Two-piece design facilitates inspection and repair.
- Blow-out-proof stem.
- Anti-Static design is standard.
- Temperature range: -20 to 400
- Face to face: DIN3202 F1/F4.
- Flange dimensions: DIN 2633.
- Pressure rating: ½" ~2" PN40 ; 1½" ~4" PN16.
- With ISO5211 Mounting Pad.



Two Piece Flange Ball Valves

SIZE	A	B	C	D	E	F	H	L		T	M-N	P	S	Q-G
								F1	F5					
5	125	188	210	250	514	3	193	400	325	22	18-8	125	27	M12-4
6	152	212	240	285	514	3	213	480	350	22	22-8	125	27	M12-4
8	200	268	295	340	498	3	302	600	400	24	23-12	140	32	5/8-11UNC-4
10	250	320	355	405	498	3	347	730	500	26	27-12	140	32	5/8-11UNC-4

NO	PART NAME	MATERIAL	Q'ty
1	BODY	EN10213-4, 1.4408	1
2	CAP	EN10213-4, 1.4408	1
3	BALL	ASTM A 351 GR. CF8M	1
4	STEM	ASTM A276 GR. 316	1
5	SEAT	PTFE+15%GF	2
6	GASKET	PTFE	1
7	THRUST WASHER	POLYFILL TEFLON	1
8	STEM PACKING	PTFE	3
9	GLAND BUSHING	PTFE	1
10	GLAND	ASTM A351 GR. CF8	1
11	BOLTS	ASTM A276 GR. 304	2
12	STOPPER	ASTM A276 GR. 304	1
13	SNAP RING	ASTM A210 GR. 304	1
14	HANDLE	ASTM A536 GR. FCD45	1
15	HEX. NUT	ASTM A194 GR. 8	5",6"=8
16	BOLTS	ASTM A193 GR. B8	8"=10 10"=12
17	O-RING	VITON	2
18	STATIC DEVICE	ASTM A276 GR. 304	2
19	WASHER	ASTM A276 GR. 304	2

