

- Direct mounting of actuators to valves.
- For food and general chemical service applications.
- Adjustable stem packing with Belleville spring washer.
- Blow-out-proof stem design.
- Investment casting body and end caps.
- In-line maintenance design.
- Available in carbon or stainless steel body construction.
- 100% tested by air under water at 100 psi, open and closed positions.
- Anti-Static design is optional.
- Working pressure: 1000 WOG.
- Temperature range: -20 to 400 .
- End types: Threaded, Socket, & Butt Weld.
- With ISO5211 Mounting Pad.

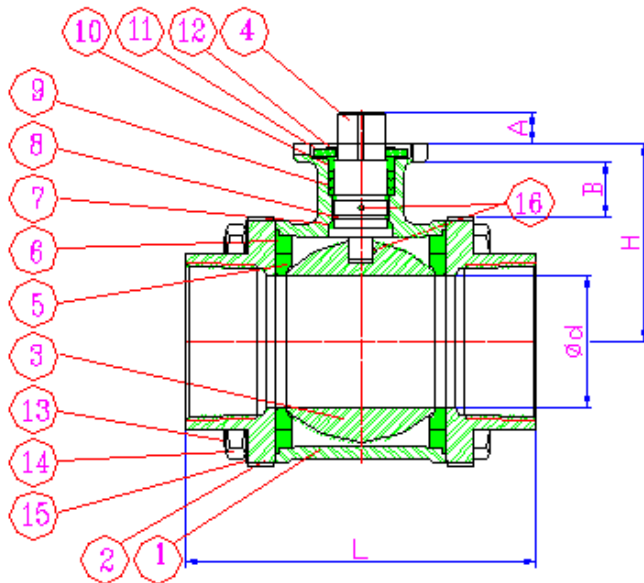
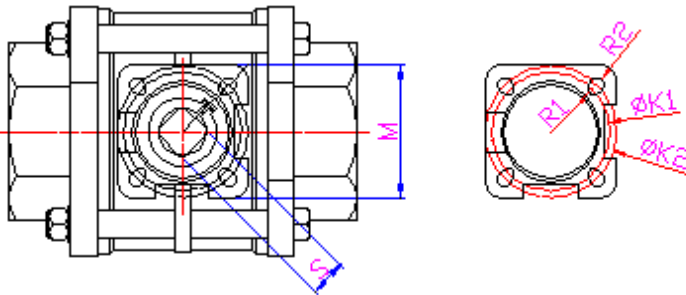


Three Piece Ball Valves

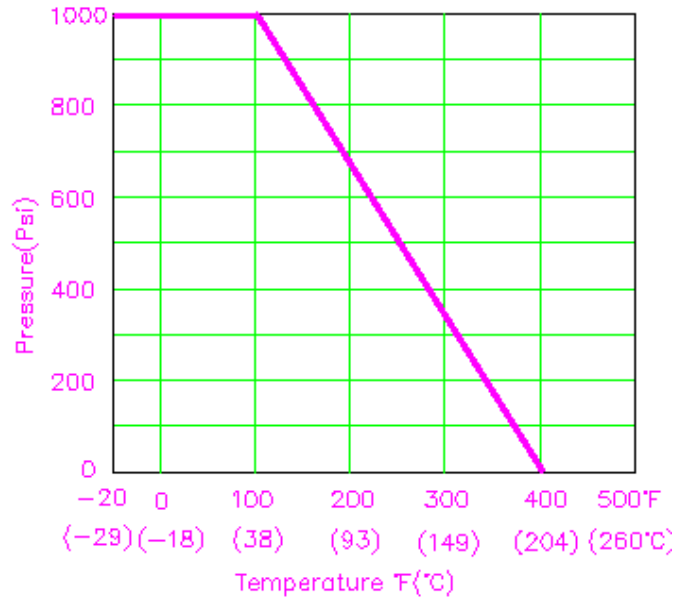
DIMENSIONS

UNIT: mm

SIZE	ød	L	H	A	S	M	ØK1	ØK2	R1	R2
1/2"	15	65.5	43	9	9	42	36	42	3	3
3/4"	20	79	46.5	9	9	42	36	42	3	3
1"	25	86	50.3	11	11	50	42	50	3	3.5
1 1/4"	32	105	55	11	11	50	42	50	3	3.5
1 1/2"	38	120	67.5	14	14	70	50	70	3.5	4.5
2"	50	133	75.5	14	14	70	50	70	3.5	4.5
2 1/2"	65	163	95	17	17	102	70	102	4.5	5.5
3"	80	183	105	17	17	102	70	102	4.5	5.5
4"	100	228	126	22	22	125	102	125	5.5	6.5



PRESSURE TEMPERATURE RATINGS



MATERIALS LIST

No.	PART NAME	STAINLESS STEEL
1	BODY	ASTM A351 GR.CF8M
2	CAP	ASTM A351 GR.CF8M
3	BALL	ASTM A351 GR.CF8M
4	STEM	ASTM A276 TYPE316
5	SEAT	PTFE
6	GASKET	PTFE
7	THRUST WASHER	POLYFILL TEFLON
8	O-RING	VITON
9	STEM PACKING	50%PTFE+50%SS304
10	GLAND RING	ASTM A276 TYPE304
11	BEVEL WASHER	ASTM A276 TYPE301
12	SNAP RING	ASTM A276 TYPE304
13	BOLTS	ASTM A276 TYPE304
14	BOLT NUTS	ASTM A276 TYPE304
15	BOLT WASHERS	ASTM A276 TYPE304
16	STATIC DEVICE	SPRING