

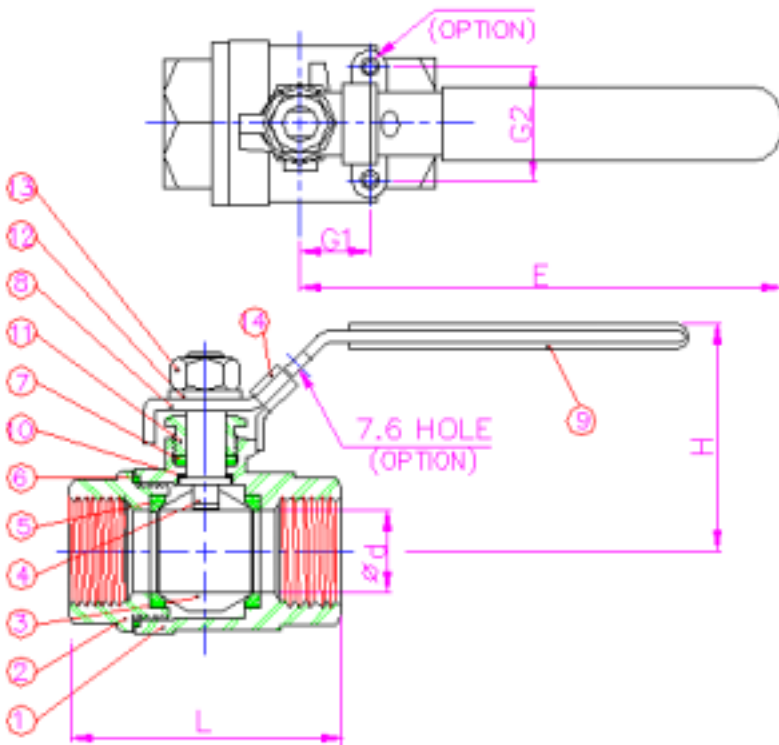
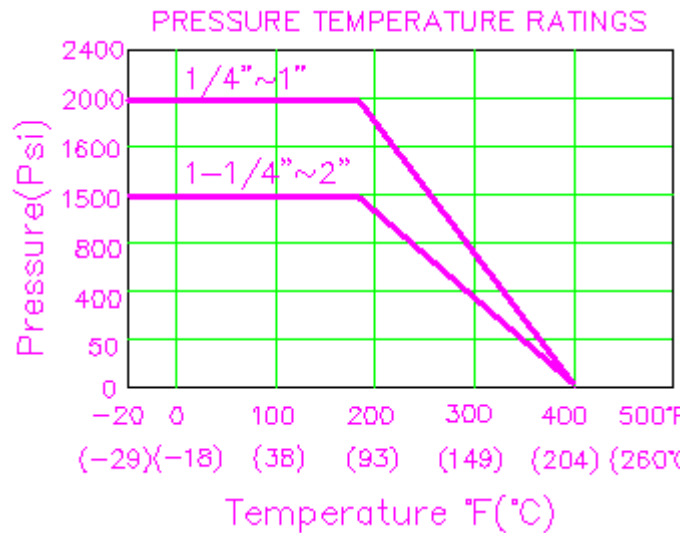
- Size range: 1/4" ~ 2"(DN 8 ~ DN 50)
- Port availability: Standard Port
- Working pressure: 1/4" ~ 1" 2000 WOG; 1 1/4" ~ 2" 1500 WOG
- Temperature range: - 20°F ~ 400°F (- 29°C ~ 200°C)
- Body material: CF8M (1.4408) or CF8 (1.4308) or WCB (1.0619)
- Trim material: Stainless Steel Ball & Stem.
- End connection: Threaded.
- Seat material: RPTFE.
- Blow-out proof stem design
- Adjustable stem packing
- Available with handle locking plate



Two Piece Ball Valves

DIMENSIONS (inch)

SIZE	øD	L	H	E	G1	G2	T (UNC)
1/4"	9.5	52	51.5	104.5	12.7	28.5	3/16-24
3/8"	9.5	52	51.5	104.5	12.7	28.5	3/16-24
1/2"	12.7	64.5	51	104.5	12.7	28.5	3/16-24
3/4"	15	68.5	53.5	127.5	22.4	36.0	3/16-24
1"	20	82.5	58	127.5	22.4	36.0	3/16-24
1 1/4"	25	93.5	73	167	22.4	36.0	1/4-20
1 1/2"	32	110.5	80	167	25.4	38.1	1/4-20
2"	38.1	117.4	84.5	190.5	25.4	38.1	1/4-20



MATERIALS LIST

No.	PART NAME	SPECIFICATION
1	BODY	ASTM A351 GR.CF8M
2	END CAP	ASTM A351 GR.CF8M
3	BALL	ASTM A351 GR.CF8M
4	STEM	S.S.316
5	BALL SEAT	RPTFE
6	END SEAL	PTFE
7	STEM PACKING	PTFE
8	HANDLE	S.S.304
9	HANDLE SLEEVE	VINYL GRIP
10	THRUST WASHER	PTFE
11	GLAND	S.S.304
12	HANDLE WASHER	S.S.304
13	HANDLE NUT	S.S.304
*14	LOCKING PLATE	S.S.304

*optional