

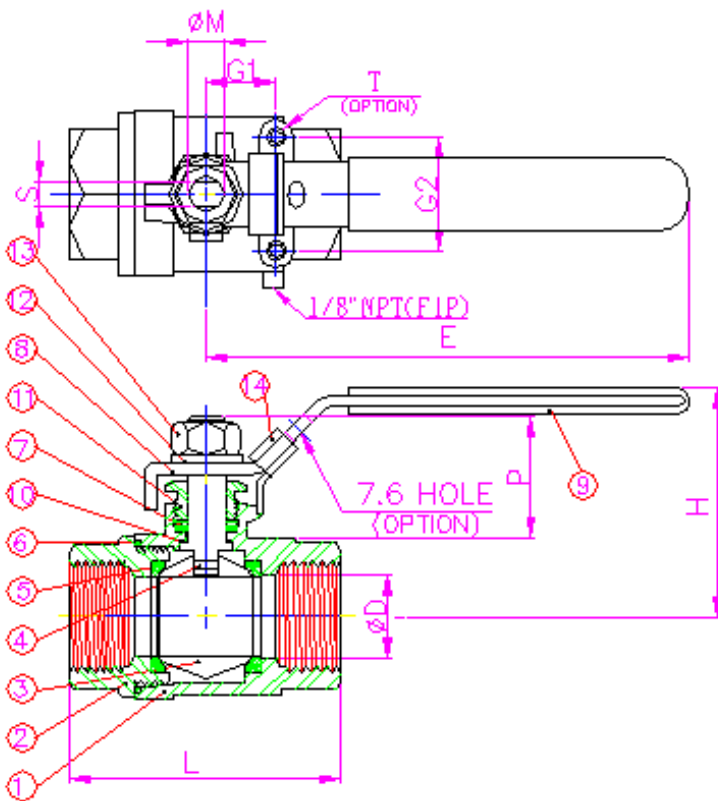
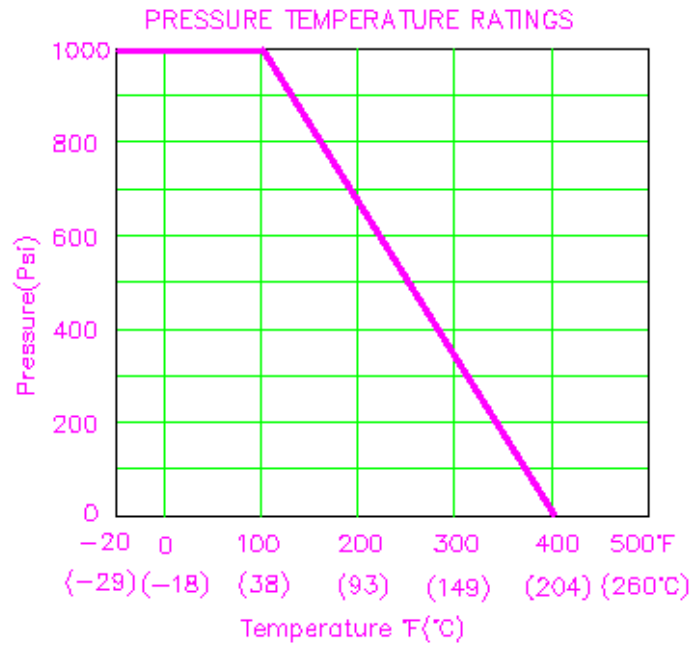
- Size range: 1/4" ~ 4"(DN 8 ~ DN 100)
- Port availability: Full Port.
- Working pressure: 1000 WOG
- Temperature range: - 20°F ~ 400°F (- 29°C ~ 200°C)
- Body material: CF8M(1.4408) or CF8(1.4308) or WCB(1.0619)
- Trim material: Stainless Steel Ball & Stem.
- End connection: Threaded.
- Seat material: PTFE.
- Blow-out proof stem design
- Adjustable stem packing
- Available with threaded holes at the body for actuator mounting
- Available with handle locking plate.



Two Piece Ball Valves

DIMENSIONS (inch)

SIZE	d	E	H	G1	G2	L	T (UNC)	W (kg)	Cv FACTOR
1/4"	11.6	100	50	12.7	28.5	60	3/16-24	0.3	6.0
3/8"	12.5	100	50	12.7	28.5	60	3/16-24	0.3	12.0
1/2"	15.0	120	56	12.7	28.5	72	3/16-24	0.32	19.0
3/4"	20.0	120	60	22.1	34.8	78	3/16-24	0.6	37.0
1"	25.0	148	70	22.1	34.8	86	3/16-24	1.0	64.0
1 1/4"	32.0	148	75	23.6	38.1	96	1/4-20	1.6	103
1 1/2"	38.0	164	84	23.6	38.1	115	1/4-20	2.4	143
2"	50.0	164	94	23.6	38.1	129	1/4-20	3.6	360



MATERIALS LIST

No.	PART NAME	SPECIFICATION
1	BODY	ASTM A351 GR.CF8M
2	END CAP	ASTM A351 GR.CF8M
3	BALL	ASTM A351 GR.CF8M
4	STEM	S.S.316
5	BALL SEAT	PTFE
6	END SEAL	PTFE
7	STEM PACKING	PTFE
8	HANDLE	S.S.304
9	HANDLE SLEEVE	VINYL GRIP
10	THRUST WASHER	PTFE
11	GLAND	S.S.304
12	HANDLE WASHER	S.S.304
13	HANDLE NUT	S.S.304
*14	LOCKING PLATE	S.S.304

*optional