

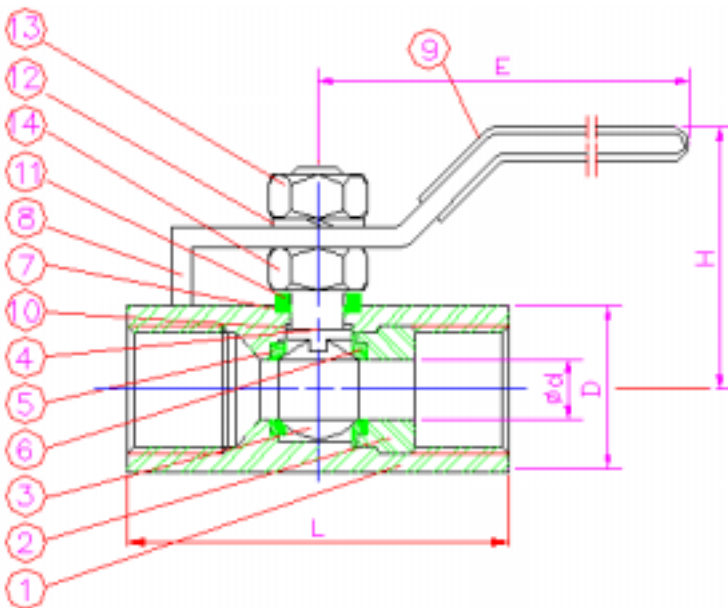
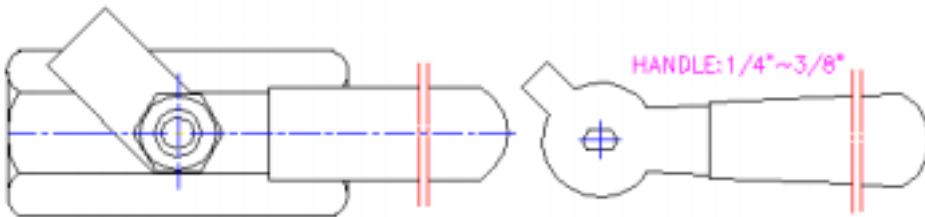
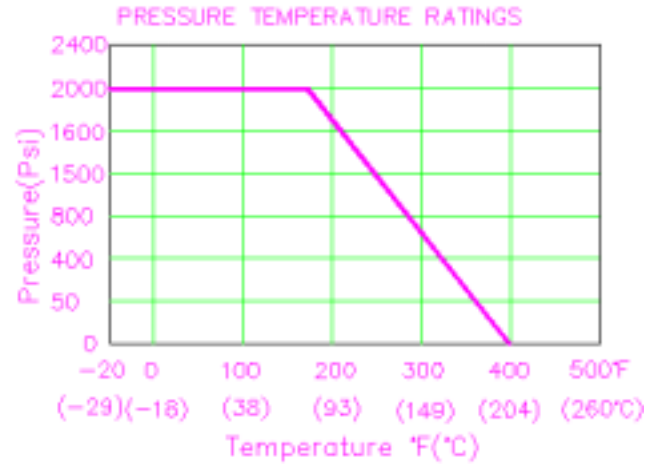
- 1-Piece Ball Valve Hexagonal Type
- Sizes range: 1/4"~ 2" (DN 8 ~ DN 50)
- Port availability: Reduce port
- Working pressure: 2000CWP (PN63)
- Temperature rating: Ambient Temperature
- Body material: ASTM A108 Gr.1021, Hex bar stock
- Trim material: Stainless Steel Ball & Stem
- End connection: Threaded
- Seat material: RPTFE
- Blow-out proof stem design
- Anti-rust surface finishing



## One Piece Ball Valves

### DIMENSIONS ( inch )

SIZE	ød	H	E	L	Cv FACTOR	W(kg)
1/4"	5	29	61	43.5	1.0	0.1
3/8"	7	35	80	47.5	2.5	0.14
1/2"	9.2	66	104	56	5.5	0.28
3/4"	12.5	69	107	65.5	10.0	0.42
1"	15	75	118	81	15.5	0.64
1 1/4"	20	78	146	92	20.0	1.38
1 1/2"	25	85	148	96	37.0	1.4
2"	32	98	150	114	60.0	2.68



### MATERIALS LIST

No.	PART NAME	SPECIFICATION
1	BODY	ASTM A108 Gr.1021
2	INSCREWED SEAT	ASTM A108 Gr.1021
3	BALL	S.S.304
4	STEM	S.S.316
5	BALL SEAT	RPTFE
6	CAP SEAT	PTFE
7	PACKING	PTFE
8	HANDLE	S.S.304
9	HANDLE SLEEVE	VINYL GRIP
10	THRUST WASHER	PTFE
11	GLAND	S.S.304
12	WASHER	S.S.304
13	HANDLE NUT	S.S.304
14	STEM NUT	S.S.304