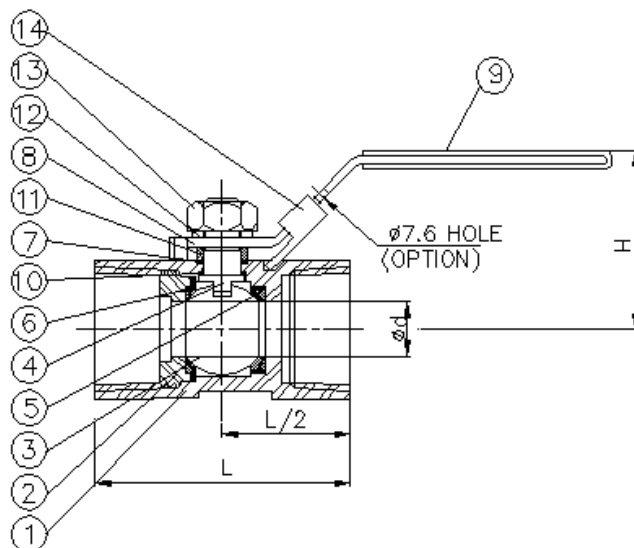
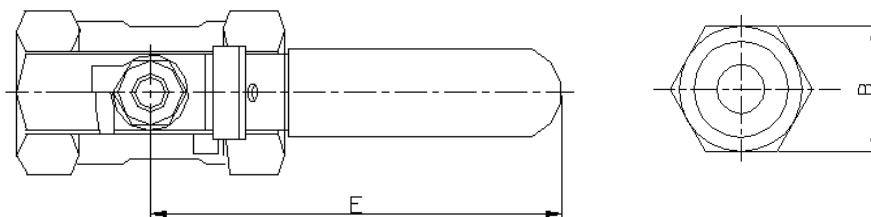


Model No.: B-111 1-Piece Ball Valve Economy Type

Sizes range:	¼"~ 2" (DN 8 ~ DN 50)
Port availability:	Reduce port
Working pressure:	1000WOG (70 bar)
Temperature rating:	- 20°F ~ 350°F (- 29°C ~ 180°C)
Body material:	CF8M(1.4408) or CF8(1.4308)
Trim material:	Stainless Steel Ball & Stem
End connection:	Threaded End
Seat material:	PTFE
	Blow-out proof stem design
	Available with handle locking plate



MATERIAL LIST

No.	PART NAME	SPECIFICATION
1	BODY	ASTM A351 GR. CF8M/ CF8
2	SEAT RETAINER	SS 316
3	BALL	ASTM A351 GR. CF8M/ CF8
4	STEM	SS 316
5	BALL SEAT	PTFE
6	CAP SEAT	PTFE
7	PACKING	PTFE
8	HANDLE	SS 304
9	HANDLE SLEEVE	VINYL GRIP
10	THRUST WASHER	PTFE
11	GLAND	SS 304
12	WASHER	SS 304
13	HANDLE NUT	SS 304
14	LOCKING PLATE (OPTION)	SS 304

DIMENSIONS (mm)

SIZE		φd	L	B	H	E
NPS	DN					
¼"	8	5	39	17	38	62.5
⅜"	10	7	44	21	40	73
½"	15	9.2	56.5	25	51	85
¾"	20	12.5	59	32	53.5	87
1"	25	16	71	38	56	107
1¼"	32	20	78	49	61.5	107
1½"	40	25	83	53	68	130
2"	50	32	100	65	73	130