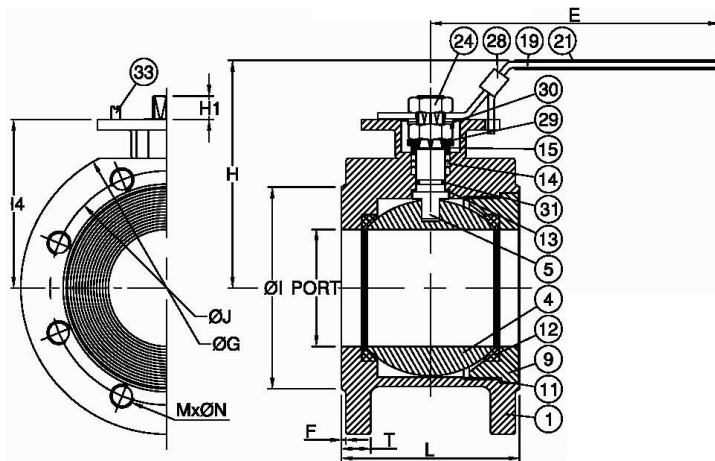
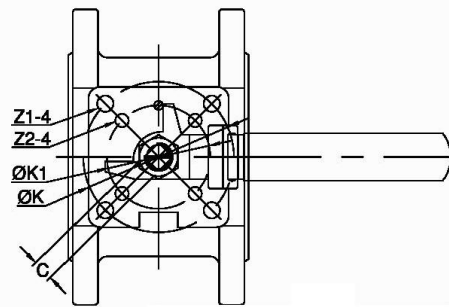


## Model No.: B-117 1-Piece Ball Valve Wafer Type

Sizes range:	1/2" ~ 4" (DN 15 ~ DN 100)
Port availability:	Full port
Working pressure:	PN16
Temperature rating:	- 29°C ~ 180°C
Body material:	EN 10213-4, 1.4408 (ASTM A351, CF8M)
Trim material:	Stainless Steel Ball & Stem
End connection:	EN 1092-1, Flanged End
Seat material:	PTFE
	With ISO 5211 Direct mount pad
	Available with handle locking device upon request



### MATERIAL LIST

No.	PART NAME	SPECIFICATION
1	BODY	1.4408 / CF8M
4	BALL	1.4408 / CF8M
5	STEM	SS316
9	INSERT CAP	1.4408 /CF8M
11	BODY SEAL	PTFE. or O-RING
12	SEAT	PTFE.
13	THRUST WASHER	PTFE.
14	STEM PACKING	PTFE.
15	GLAND BUSHING	SS304
19	HANDLE	SS430
21	HANDLE GRIP	PVC
24	HANDLE NUT	SS304
28	LOCKING PLATE	SS304
29	BELLEVILLE	SS301
30	TAB WASHER	SS304
31	STEM O-RING	VITON
33	STOP PIN	SS304

### DIMENSIONS (mm)

SIZE		PORT	L	E	H	H1	H4	C	ØG	ØJ	ØI	T	F	MxØN	ØK	ØK1	Z1-4	Z2-4	TORQUE Kg.cm
NPS	DN																		
1/2"	15	15	43	101	88.5	10	52	7	95	65	45	16	2	4xM12-P1.75	40	30	6	6	21
3/4"	20	20	44	101	93.6	10	57	7	105	75	58	16	2	4xM12-P1.75	40	30	6	6	21
1"	25	25	51	146	99.5	10	62	9	115	85	68	18	2	4xM12-P1.75	50	40	7	6	51
1 1/4"	32	32	54	146	110.6	12	73	9	140	100	78	18	2	4xM16-P2.0	50	40	7	6	51
1 1/2"	40	40	65	186	121.5	12	86	11	150	110	88	18	2	4xM16-P2.0	70	50	9	7	110
2"	50	50	80	186	131.6	12	93	11	165	125	102	18	2	4xM16-P2.0	70	50	9	7	210
2 1/2"	65	65	102	196.9	144.5	16.2	105	14	185	145	122	18	2	4xM16-P2.0	102	70	11	9	250
3"	80	80	122	196.9	154.6	16.2	115	14	200	160	138	20	3	4xM18-P2.0	102	70	11	9	400
4"	100	100	153	265.5	175.5	19.0	133	17	220	180	158	20	3	4xM18-P2.0	125	102	13	11	800