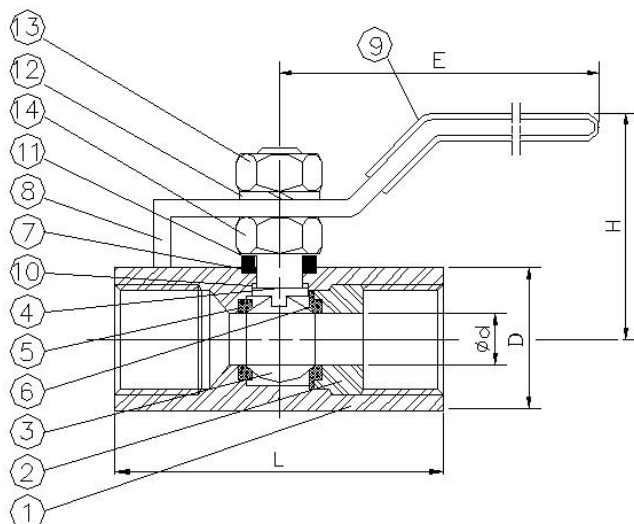
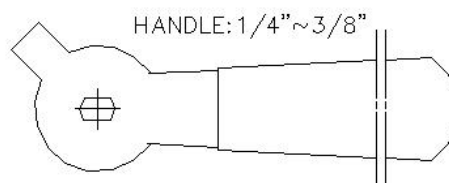
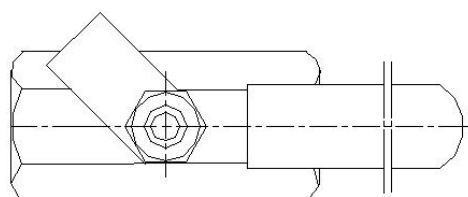


Model No.: B-114 1-Piece Ball Valve Hexagonal Type

Sizes range:	1/4"~ 2" (DN 8 ~ DN 50)
Port availability:	Reduce port
Working pressure:	2000WOG (140 bar)
Temperature rating:	- 20°F ~ 350°F (- 29°C ~ 180°C)
Body material:	ASTM A108 Gr.1021, Hex bar stock
Trim material:	Stainless Steel Ball & Stem
End connection:	Threaded
Seat material:	RPTFE
	Blow-out-proof stem design
	Anti-rust surface finishing



MATERIAL LIST

No.	PART NAME	SPECIFICATION
1	BODY	ASTM A108 CL.1018 or AISI 1021 C.S.
2	SEAT RETAINER	ASTM A108 CL.1018 or AISI 1021 C.S.
3	BALL	S.S.304
4	STEM	S.S.316
5	BALL SEAT	RPTFE
6	CAP SEAT	PTFE
7	PACKING	PTFE
8	HANDLE	S.S.304
9	HANDLE SLEEVE	VINYL GRIP
10	THRUST WASHER	PTFE
11	GLAND	S.S.304
12	WASHER	S.S.304
13	HANDLE NUT	S.S.304
14	STEM NUT	S.S.304

DIMENSIONS (mm)

SIZE		ϕd	D	H	E	L	Cv factor ($Kv=0.853$ Cv)	W (kg)
NPS	DN							
1/4"	8	5	19	29	61	44	1.0	0.1
3/8"	10	7	23	35	80	48	2.5	0.14
1/2"	15	9.2	29	66	104	56	5.5	0.28
3/4"	20	12.5	35	69	107	65.5	10.0	0.42
1"	25	15	41	75	118	86	15.5	0.64
1 1/4"	32	20	55	78	146	92	20.0	1.38
1 1/2"	40	25	60	85	148	96	37.0	1.4
2"	50	32	73	98	150	114	60.0	2.68