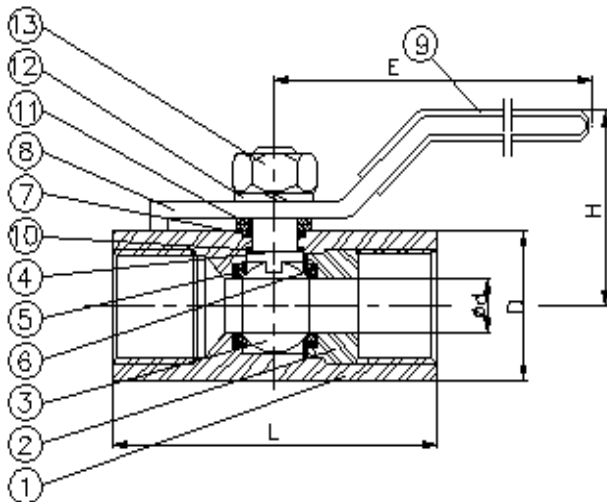
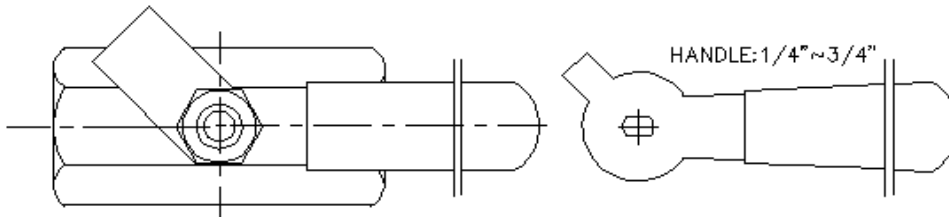


## Model No.: B-112 1-Piece Ball Valve Hexagonal Type

Sizes range:	1/4"~ 2" (DN 8 ~ DN 50)
Port availability:	Reduce port
Working pressure:	1000WOG (70 bar)
Temperature rating:	- 20°F ~ 350°F (- 29°C ~ 180°C)
Body material:	ASTM A351 Gr. CF8M (EN 10213-4, 1.4408)
Trim material:	Stainless Steel Ball & Stem
End connection:	Threaded End
Seat material:	PTFE
	Blow-out proof stem design



### MATERIAL LIST

No.	PART NAME	SPECIFICATION
1	BODY	ASTM A351 GR. CF8M
2	SEAT RETAINER	S.S.316
3	BALL	ASTM A351 GR. CF8M
4	STEM	S.S.316
5	BALL SEAT	PTFE
6	CAP SEAT	PTFE
7	PACKING	PTFE
8	HANDLE	S.S.304
9	HANDLE SLEEVE	VINYL GRIP
10	THRUST WASHER	PTFE
11	GLAND	S.S.304
12	WASHER	S.S.304
13	HANDLE NUT	S.S.304

### DIMENSIONS (mm)

SIZE		Φd	D	H	E	L	Cv factor (Kv= 0.853 Cv)	W (kg)
NPS	DN							
1/4"	8	5	17.5	30	62	46.5	1.0	0.08
3/8"	10	7	21	30	82	51	2.5	0.12
1/2"	15	9.2	25	45	92	64	5.5	0.21
3/4"	20	12.5	32	50	94	68	10.0	0.35
1"	25	15	38	68	118	77	15.5	0.60
1 1/4"	32	20	48	71	137	88	20.0	1.89
1 1/2"	40	25	55	75	137	96	37.0	1.23
2"	50	32	68	85	151	108	60.0	1.97